

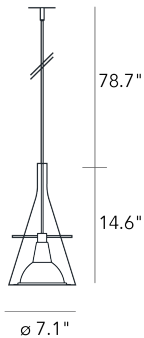


FLÛTE SMALL

Franco Raggi, 1999

A glass cone holds the chromed aluminum reflector, supported by three slender metal rods. Equilibrium and lightness for this family of lamps available in floor and wall versions, for indirect light emission, and in a hanging version, for direct focused light.

Suspension lamp with direct light, phase cut dimmer. Transparent borosilicate glass diffuser. Reflector made of glossy chromed aluminium. Reflector support made of chromed metal. Transparent power cable. Chromed polycarbonate ceiling rose. Integrated led.



MADE IN
IT

ALIMENTATION CABLE
Transparent

DIMMER
Dimmable

CERTIFICATIONS
CE ENEC IP20

COLOR



MATERIAL DESCRIPTION
glass, metal

COLOR DESCRIPTION SKU
transparent, chrome

GROUP TENSION
Integrated Led

ENERGY CLASS
F

LIGHT SOURCE
LED 10W (2700K, CRI 80, 1250Lm)

SKU
F333780150TCLE

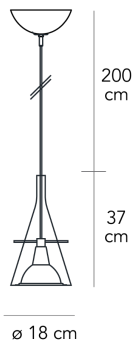


FLÛTE SMALL

Franco Raggi, 1999

A glass cone holds the chromed aluminum reflector, supported by three slender metal rods. Equilibrium and lightness for this family of lamps available in floor and wall versions, for indirect light emission, and in a hanging version, for direct focused light.

Suspension lamp with direct light, phase cut dimmer. Transparent borosilicate glass diffuser. Reflectors and support made of galvanized metal. Transparent power cable. Chromed polycarbonate ceiling rose. Integrated led.



MADE IN

IT

ALIMENTATION CABLE

Transparent

DIMMER

Dimmable

CERTIFICATIONS

CE **ENEC** **IP20**

COLOR



MATERIAL DESCRIPTION

glass, galvanized metal

COLOR DESCRIPTION SKU

transparent, copper

GROUP TENSION

Integrated Led

ENERGY CLASS

F

LIGHT SOURCE

LED 10W (2700K, CRI 80, 1250Lm)

SKU

F333780550RMLE

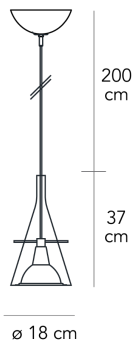


FLÛTE SMALL

Franco Raggi, 1999

A glass cone holds the chromed aluminum reflector, supported by three slender metal rods. Equilibrium and lightness for this family of lamps available in floor and wall versions, for indirect light emission, and in a hanging version, for direct focused light.

Suspension lamp with direct light, phase cut dimmer. Transparent borosilicate glass diffuser. Reflector and support made of galvanized metal. Transparent power cable. Chromed polycarbonate ceiling rose. Integrated led.



MADE IN

IT

ALIMENTATION CABLE

Transparent

DIMMER

Dimmable

CERTIFICATIONS

CE **ENEC** **IP20**

COLOR



MATERIAL DESCRIPTION

glass, galvanized metal

COLOR DESCRIPTION SKU

transparent, brass

GROUP TENSION

Integrated Led

ENERGY CLASS

F

LIGHT SOURCE

LED 10W (2700K, CRI 80, 1250Lm)

SKU

F333780550OTLE

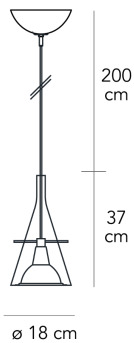


FLÛTE SMALL

Franco Raggi, 1999

A glass cone holds the chromed aluminum reflector, supported by three slender metal rods. Equilibrium and lightness for this family of lamps available in floor and wall versions, for indirect light emission, and in a hanging version, for direct focused light.

Suspension lamp with direct light, phase cut dimmer. Transparent borosilicate glass diffuser. Reflector and support made of galvanized metal. Transparent power cable. Chromed polycarbonate ceiling rose. Integrated led.



MADE IN

IT

ALIMENTATION CABLE

Transparent

DIMMER

Dimmable

CERTIFICATIONS

CE **ENEC** **IP20**

COLOR



MATERIAL DESCRIPTION

glass, galvanized metal

COLOR DESCRIPTION SKU

transparent, glossy black

GROUP TENSION

Integrated Led

ENERGY CLASS

F

LIGHT SOURCE

LED 10W (2700K, CRI 80, 1250Lm)

SKU

F333780550NELE

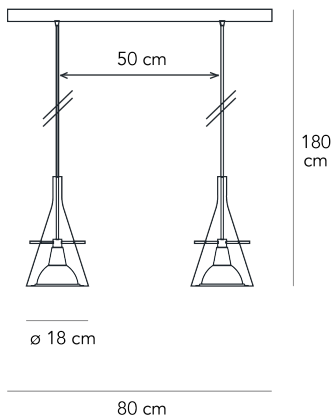


FLÛTE MEDIUM

Franco Raggi, 1999

A glass cone holds the chromed aluminum reflector, supported by three slender metal rods. Equilibrium and lightness for this family of lamps available in floor and wall versions, for indirect light emission, and in a hanging version, for direct focused light.

Suspension lamp with direct light, phase cut dimmer. Two diffusers made of transparent borosilicate glass. Reflectors made of glossy chromed aluminium. Reflectors support made of chromed metal. Transparent power cable. Bright anodised aluminum raceway. Integrated led.



MADE IN
IT

ALIMENTATION CABLE
Transparent

DIMMER
Dimmable

CERTIFICATIONS
CE **IP20**

COLOR



MATERIAL DESCRIPTION
glass, galvanized metal

COLOR DESCRIPTION SKU
transparent, chrome

GROUP TENSION
Integrated Led

ENERGY CLASS
F

LIGHT SOURCE
LED 2x10W (2700K, CRI 80, 1250Lm)

SKU
F333785550TCLE

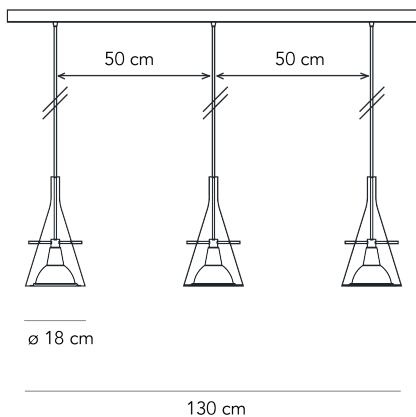


FLÛTE LARGE

Franco Raggi, 1999

A glass cone holds the chromed aluminum reflector, supported by three slender metal rods. Equilibrium and lightness for this family of lamps available in floor and wall versions, for indirect light emission, and in a hanging version, for direct focused light.

Suspension lamp with direct light, phase cut dimmer. Three diffusers made of transparent borosilicate glass. Reflectors made of glossy chromed aluminium. Reflectors support made of chromed metal. Transparent power cable. Bright anodised aluminum raceway. Integrated led.



MADE IN
IT

ALIMENTATION CABLE
Transparent

DIMMER
Dimmable

CERTIFICATIONS
CE **IP20**

COLOR



MATERIAL DESCRIPTION
glass, galvanized metal

COLOR DESCRIPTION SKU
transparent, chrome

GROUP TENSION
Integrated Led

ENERGY CLASS
F

LIGHT SOURCE
LED 3x10W (2700K, CRI 80, 1250Lm)

SKU
F333790550TCLE

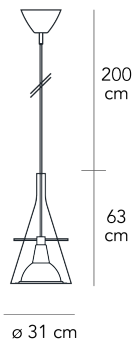


FLÛTE XXL

Franco Raggi, 1999

A glass cone holds the chromed aluminum reflector, supported by three slender metal rods. Equilibrium and lightness for this family of lamps available in floor and wall versions, for indirect light emission, and in a hanging version, for direct focused light.

Suspension lamp with direct and dimmable light. Transparent borosilicate glass diffuser. Reflector made of glossy chromed aluminium. Reflector support made of chromed metal. Steel suspension cable. Transparent power cable. Ceiling rose made of chromed thermoplastic material. Bulb not included.



MADE IN
IT

ALIMENTATION CABLE
Transparent

DIMMER
Dimmable

CERTIFICATIONS
CE **IP20**

COLOR



MATERIAL DESCRIPTION
glass, metal

COLOR DESCRIPTION SKU
transparent, chrome

GROUP TENSION
Bulb

ENERGY CLASS
A → G

LIGHT SOURCE
1x max 230W R7s/115

SKU
F333795150TCNE