

R|O|D|A

BUTTON 001 Table



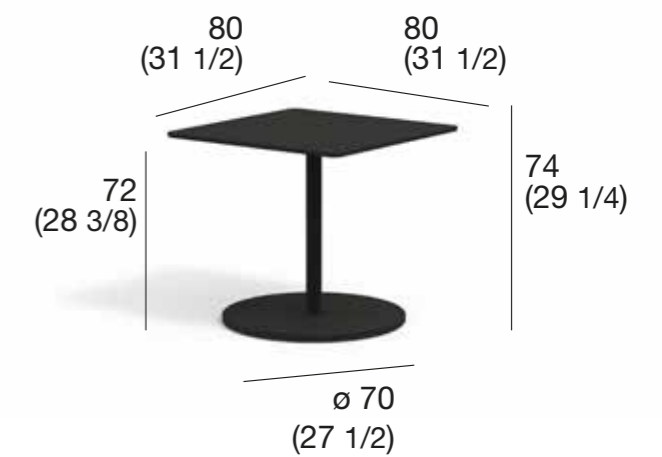
DESCRIPTION Dining table for outdoor use.

STRUCTURE Powder coated aluminium.

TOP Powder coated stainless steel.

WEIGHT

38 kg



METAL



SMOKE

MILK

R | O | D | A

BUTTON 002 Table



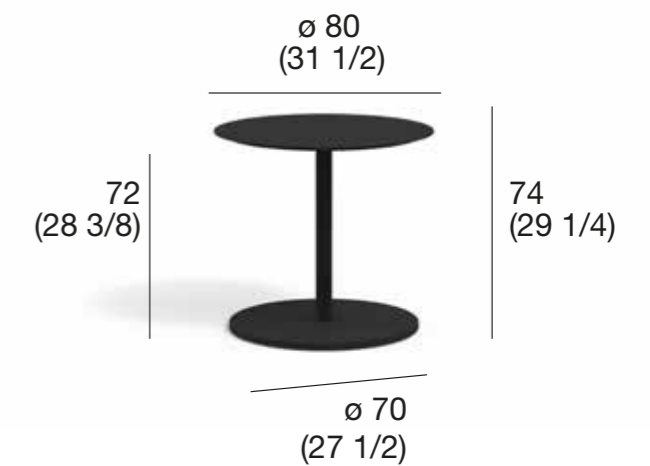
DESCRIPTION Dining table for outdoor use.

STRUCTURE Powder coated aluminium.

TOP Powder coated aluminium.

WEIGHT

38 kg



METAL



SMOKE

MILK

R | O | D | A

BUTTON 003 Table



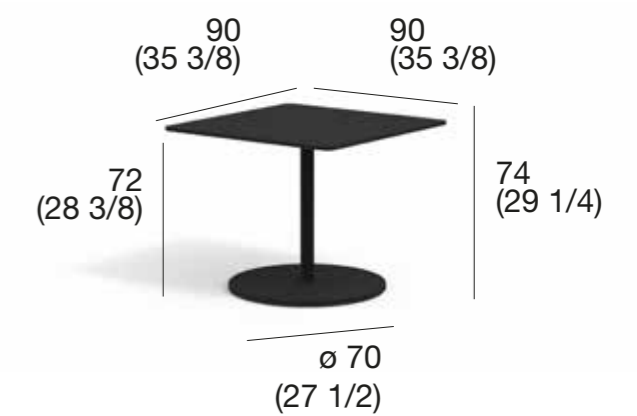
DESCRIPTION Dining table for outdoor use.

STRUCTURE Powder coated aluminium.

TOP Powder coated aluminium.

WEIGHT

40 kg



METAL



SMOKE

MILK

R | O | D | A

BUTTON 004 Table



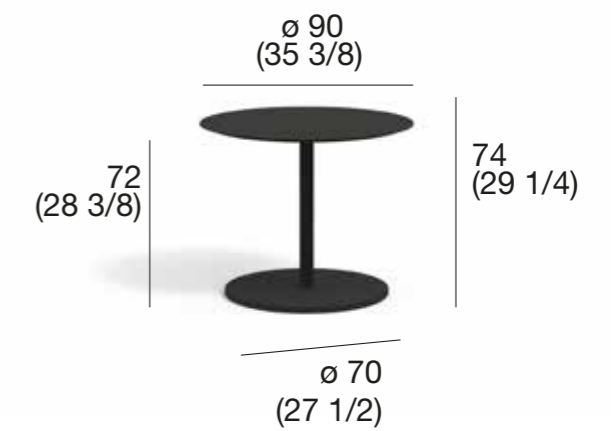
DESCRIPTION Dining table for outdoor use.

STRUCTURE Powder coated aluminium.

TOP Powder coated aluminium.

WEIGHT

40 kg



METAL



SMOKE

MILK