

# R | O | D | A

## PIPER 010 Side table

design RODOLFO DORDONI



### DESCRIPTION

Side table for outdoor use.

### STRUCTURE

Aluminium frame treated with electrostatic powder painting with polyester base that gives more protection from scratches and also the final colouring to the product.

It can be recycled 100% and infinite times without losing its original features.

### TOP

Stones or HPL grey. All the stones used for Roda furniture are brushed with a natural effect and protected by an invisible treatment.

**FARSENA STONE:** oriental marble with a grey color and a uniform structure with shades of red and salts.

**LUNA STONE:** sandstone with a typical grey/light blue color.

**CARRARA MARBLE:** a metamorphic stone made of crystals and carbonate of microscopic size which gives a uniform aspect. It has a pearl-white color and slight grey veins.

**HPL (High pressure laminate)** of a great quality with a characteristic black heart, very resistant to wear and tear, humidity, steam, UV, fungi, spores and mould. It is self-extinguishing and it is class 2 fire resistant; it does not contain chlorine or asbestos and it is certified by Fira Institute for coming in contact with foodstuff.

### WEIGHT

HPL top 5 kg

Teak top 4 kg

Stone top 10 kg

### STORAGE COVER

Available

### METAL



SMOKE

MILK

RUST

### TOP



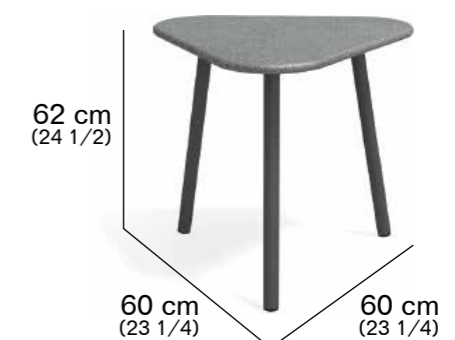
CARRARA  
MARBLE

LUNA  
STONE

FARSENA

HPL  
GREY

TEAK



# R | O | D | A

## PIPER 011 Coffee table

design RODOLFO DORDONI



### DESCRIPTION

Coffee table for outdoor use.

### STRUCTURE

Aluminium frame treated with electrostatic powder painting with polyester base that gives more protection from scratches and also the final colouring to the product.

It can be recycled 100% and infinite times without losing its original features.

### TOP

Stones or HPL grey. All the stones used for Roda furniture are brushed with a natural effect and protected by an invisible treatment.

**FARSENA STONE:** oriental marble with a grey color and a uniform structure with shades of red and salts.

**LUNA STONE:** sandstone with a typical grey/light blue color.

**CARRARA MARBLE:** a metamorphic stone made of crystals and carbonate of microscopic size which gives a uniform aspect. It has a pearl-white color and slight grey veins.

HPL (High pressure laminate) of a great quality with a characteristic black heart, very resistant to wear and tear, humidity, steam, UV, fungi, spores and mould. It is self-extinguishing and it is class 2 fire resistant; it does not contain chlorine or asbestos and it is certified by Fira Institute for coming in contact with foodstuff.

### WEIGHT

HPL top 11 kg

Teak top 13 kg

Stone top 38 kg

### STORAGE COVER

Available

### METAL



SMOKE

MILK

RUST

### TOP



CARRARA  
MARBLE

LUNA  
STONE

FARSENA

HPL  
GREY

TEAK



# RODA

## PIPER 012 Coffee table

design RODOLFO DORDONI



### DESCRIPTION

Coffee table for outdoor use.

### STRUCTURE

Aluminium frame treated with electrostatic powder painting with polyester base that gives more protection from scratches and also the final colouring to the product.

It can be recycled 100% and infinite times without losing its original features.

### TOP

Stones or HPL grey. All the stones used for Roda furniture are brushed with a natural effect and protected by an invisible treatment.

**FARSENA STONE:** oriental marble with a grey color and a uniform structure with shades of red and salts.

**LUNA STONE:** sandstone with a typical grey/light blue color.

**CARRARA MARBLE:** a metamorphic stone made of crystals and carbonate of microscopic size which gives a uniform aspect. It has a pearl-white color and slight grey veins.

HPL (High pressure laminate) of a great quality with a characteristic black heart, very resistant to wear and tear, humidity, steam, UV, fungi, spores and mould. It is self-extinguishing and it is class 2 fire resistant; it does not contain chlorine or asbestos and it is certified by Fira Institute for coming in contact with foodstuff.

### WEIGHT

HPL top 11 kg

Teak top 13 kg

Stone top 38 kg

### STORAGE COVER

Available

### METAL



SMOKE

MILK

RUST

### TOP



CARRARA  
MARBLE

LUNA  
STONE

FARSENA

HPL  
GREY

TEAK

Ø 110 cm  
(43 1/4)

40 cm  
(16)



# R | O | D | A

## PIPER 013 Coffee table

design RODOLFO DORDONI



**DESCRIPTION** Coffee table for outdoor use.

**STRUCTURE** Powder coated aluminium.

**TOP** Stones, HPL grey or teak wood.

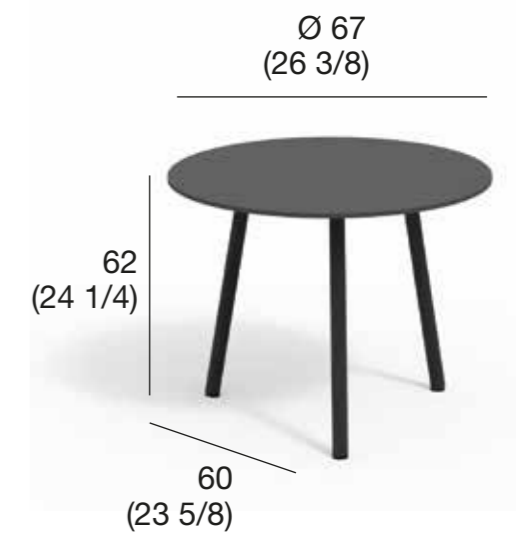
**WEIGHT**

HPL top 11 kg

Teak top 13 kg

Stone top 38 kg

**STORAGE COVER** Available.



**METAL**



SMOKE

MILK

RUST

**TOP**



CARRARA  
MARBLE

LUNA  
STONE

FARSENA

HPL  
GREY

TEAK

WR  
TEAK