

# R | O | D | A

## LEAF 001 Side table

design GORDON GUILLAUMIER



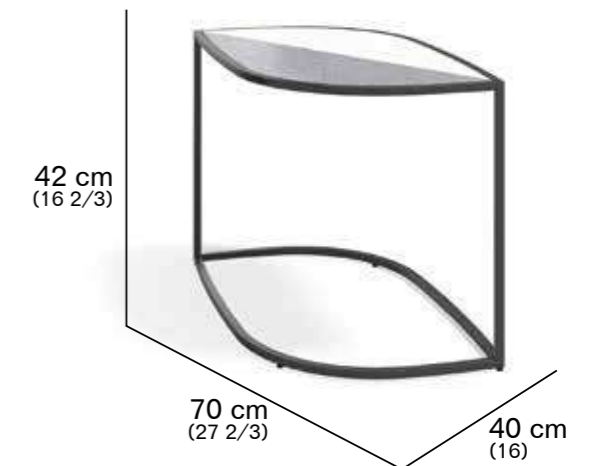
**DESCRIPTION** Side table for outdoor use.

**STRUCTURE** Powder coated stainless steel.

**TOP** Gres or glazed gres.

**WEIGHT**  
11 Kg

**STORAGE COVER** Available.



### STRUCTURE



SMOKE MILK

### TOP/GRES



FOG IVORY

### TOP/GLAZED GRES



ICE WATER STORM FOREST SAPPHIRE

# R|O|D|A

## LEAF Top combinations

### STRUCTURE



SMOKE

### TOP COMBINATIONS GRES & GLAZED GRES



FOG  
IVORY



FOG  
FOG



IVORY  
IVORY



STORM  
SAPPHIRE



STORM  
FOREST



STORM  
WATER



STORM  
ICE



MILK



FOG  
IVORY



FOG  
FOG



IVORY  
IVORY



ICE  
SAPPHIRE



ICE  
FOREST



ICE  
WATER



ICE  
STORM

# R | O | D | A

## LEAF 002 Coffee table

design GORDON GUILLAUMIER



**DESCRIPTION** Coffee table for outdoor use.

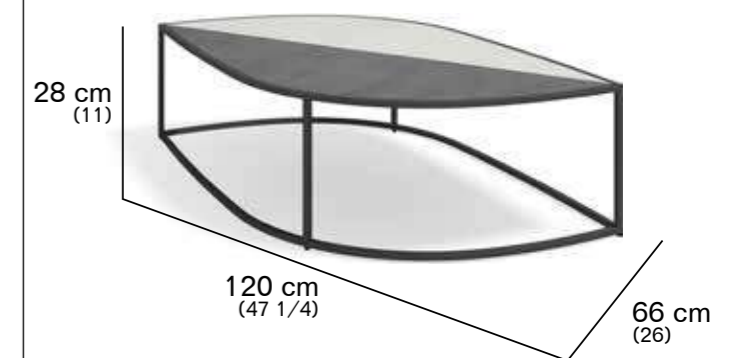
**STRUCTURE** Powder coated stainless steel.

**TOP** Gres or glazed gres.

**WEIGHT**

19 Kg

**STORAGE COVER** Available.



### STRUCTURE



SMOKE

MILK

### TOP/GRES



FOG

IVORY

### TOP/GLAZED GRES



ICE

WATER

STORM

FOREST

SAPPHIRE

# R|O|D|A

## LEAF Top combinations

### STRUCTURE



### TOP COMBINATIONS GRES & GLAZED GRES

