

The blocks are based on vehicles.  
The forms give the tactile and visual impression of classic building blocks with familiar, basic shapes.  
As with ArcheToys, I looked for the essence of the vehicles, but this time I wanted to allow more space for imagination and individuality.  
By changing, moving or flipping the blocks, new combinations and images arise.  
They are a kind of design tool.  
The use of color and the decision to make 3D light beams creates a gentle image, reminiscent of comic drawings and old-fashioned colors.  
The blocks are designed to be attractive both for children and adults.

Floris Hovers

Designer in Magis

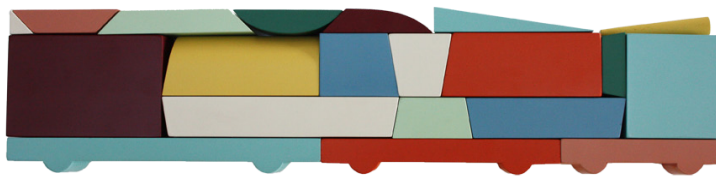
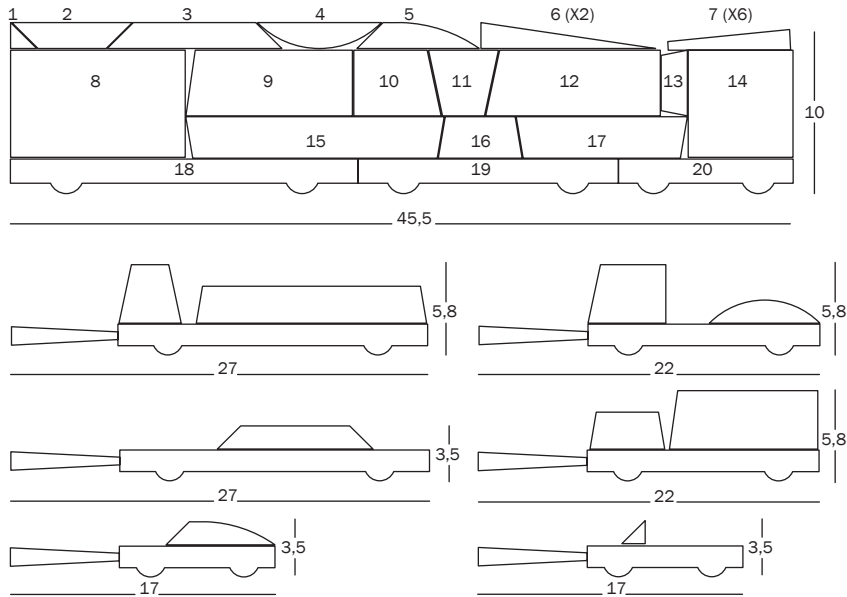


**CARtools** — design Floris Hovers, 2015  
Technical Sheet

**Puzzle Object**

Material: solid beech painted with non-toxic paints.

Magis Me Too logo is stamped on each product of our collection vouching for their originality.



[magisdesign.com](http://magisdesign.com)

The information included in this product sheet are based on the last data in our current pricelist. Magis reserves the right to modify the products without notice.



**Floris Hovers**

A basic and simple approach to techniques and materials is essential for Hovers to communicate his vision and working method. Simple and easy industrial forms and structures often appeal to him, and he finds small, naive toys and handmade things moving.

Captivated both by the idyllic workshop and by the factory where pieces are mass-produced, he is driven to waver between these two.

These extremes are a constant throughout his work, which he describes as industrial crafts.